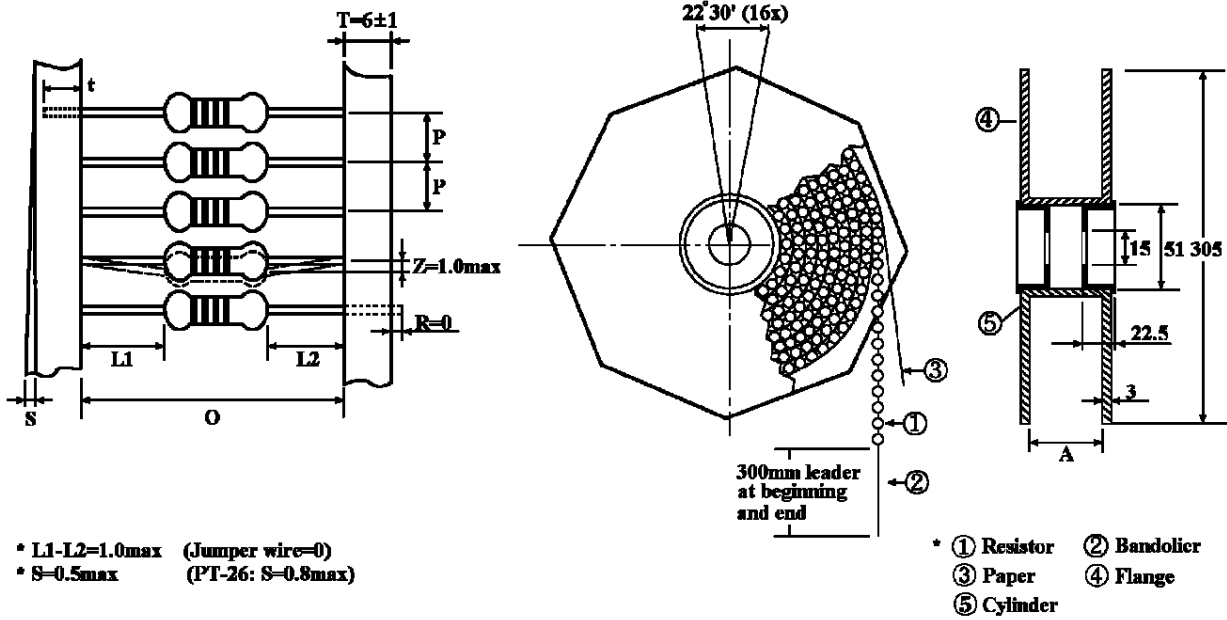




Packing Specification for Coated Resistors

Dimension (mm):



Style	Taping Dimension		
	O±1	P±0.3	t±1.0
R 08 R 25 S MF 08 MF 25 S	52	5	4
R 25 R 50 SS MF 25 MF 50 SS MF 60 S MF 25 RSF 1/4 RSMF 1/2 HMG 25	52	5	4
R 50 S MF 50 S	52	5	4
R 50 MF 50 FMF 50 RSF 1/2 HMG 50	52	5	4
RSMF 1 FMF 1 KNP 1/2 KNPS 1	58	5	4

Tape and Reel Packing (T/R)				
Across Flange (A)	Quantity/ Reel (pcs.)	Quantity/ Carton (pcs.)	Carton Used ***	Gross Wt. ±2Kgs.
73±2	5,000	50,000	A20	12.50
73±2	5,000	50,000	A20	16.50
73±2	5,000	40,000	A8	20.00
73±2	2,500	25,000	A20	14.00
73±2	2,500	25,000	A20	17.50

Packing Specification for Coated Resistors



Style	Taping Dimension		
	O±1	P±0.3	t±1.0
R 100 S MF 100 RSF 1 RSMF 2 FMF 200 KNP 1 KNPS 2 HMG 100	58	5 ± 0.3	4
R 100 R 200 S MF 200 RSF 2 RSMF 2 KNP 2 KNPS 3 HMG 200	64	10 ± 0.5	5
R 200 R 300 S RSF 3 RSMFS 5 KNP 3 KNPS 5	64	10 ± 0.5	6

Tape and Reel Packing (T/R)				
Across Flange (A)	Quantity/ Reel (pcs.)	Quantity/ Carton (pcs.)	Carton Used ***	Gross Wt. ±2Kgs.
73±2	2,500	25,000	A20	23.50 21.50 22.50 22.50 22.50 22.50 22.50
81±5	1,000	8,000	A20	13.00 13.00 13.00 13.50 13.50 13.50 13.50 13.50
81±5	500	4,000	A20	10.50 10.50 10.50 11.00 11.00 11.00 11.00

Jumper Wire				
JW52T-24	(0.5mm)	52	5 ± 0.3	4
JW52T-23	(0.6mm)	52	5 ± 0.3	4
JW52T-21	(0.7mm)	52	5 ± 0.3	4
JW52T-20	(0.8mm)	52	5 ± 0.3	4

NOTE: Bandoliers can be reeled, dimension "A" differs per type. Reel packing for PT-26 is not available.

*** SIZE OF CARTON USED:

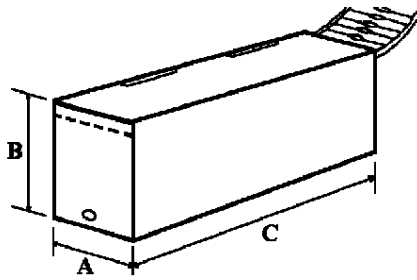
A8 - 650 x 365 x 340

A20 - 605 x 400 x 320

Style	Taping Dimension		
	O ^{+1.5} ₋₀	P±0.5	t±1.0
R 08 R 25 S MF 08 MF 25 S MF 40 SS	26	5	5
R 25 R 50 SS MF 25 MF 50 SS MF 60 S	26	5	5

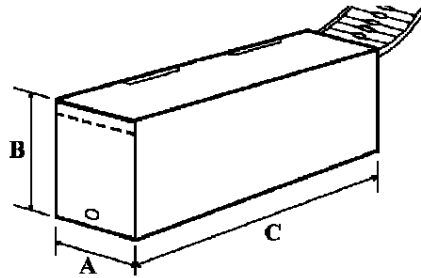


Packing Specification for Coated Resistors



Style	Taping Dimension						Gross Wt. ±2Kgs.
	L(C)±5	W(A)±5	H(B)±5	Quantity/ Box (pcs.)	Quantity/ Carton (pcs.)	Carton Used ***	
R 08 R 25 S MF 08 MF 25 S MF 40 SS	250	75	66	5,000	150,000	A3	23.00
R 25 R 50 SS MF 25 MF 50 SS MF 60 S RSF 1/4 RSMF 1/2 FMF 25	250	75	96	5,000	50,000	A28	12.00
HMG 25	255	70	130	5,000	50,000	A28	10.70
R 50 S MF 50 S	255	75	56	2,000	72,000	A3	23.00
HMG 25	260	75	31	1,000	60,000	A3	19.00
R 50 MF 50	255	75	43	1,000	48,000	A3	20.50
RSF 1/2	260	85	70	1,000	30,000	A3	19.00
HMG 50	255	70	60	1,000	20,000	A3	7.80
RSMF 1	260	85	70	1,000	20,000	A3	13.00
FMF 100 KNP 1/2 KNPS 1	260	85	70	1,000	20,000	A3	13.00
R 100 S MF 100	255	79	73	1,000	20,000	A3	16.00
RSF 1 RSMF 2 FMF 200 KNP 1 KNPS 1	262	86	80	1,000	20,000	A3	16.00 16.00 17.00 17.00 17.00
HMG 100	255	75	100	1,000	15,000	A3	12.00
R 100 R 200 S MF 200	260	94	87	1,000	20,000	A3	23.00
RSMF 2 RSMF 3 KNP 2 KNPS 3	262	92	108	1,000	15,000	A3	19.00
HMG 200	255	85	115	1,000	10,000	A3	12.30
R 200 R 300 S	262	96	69	1,000	10,000	A3	17.00
RSMF 3 RSMFS 5	256	92	80	1,000	10,000	A3	19.00
KNP 3 KNPS 5	256	92	80	1,000	10,000	A3	19.00

Packing Specification for Coated Resistors



Dimension (mm)

Style	Tape in Box Packing (T/B)						
	L(C)±5	W(A)±5	H(B)±5	Quantity/ Box (pcs.)	Quantity/ Carton (pcs.)	Carton Used ***	Gross Wt. ±2Kgs.

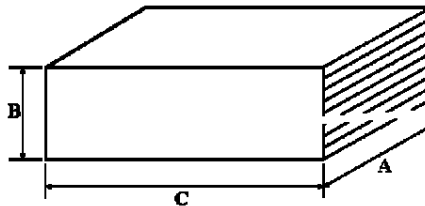
Jumper Wire

JW52T-24 (0.5mm)	250	75	96	10,000	100,000	A28	12.50
JW52T-23(0.6mm)	250	75	96	10,000	100,000	A28	16.50
JW52T-21(0.7mm)	250	75	96	7,000	70,000	A28	20.50
JW52T-20(0.8mm)	250	75	96	7,000	70,000	A28	21.50

R 08 R 25 S MF 08 MF 25 S MF 40 SS	257	50	68	5,000	225,000	A3	23.50
R 25 R 50 SS MF 25 MF 50 SS MF 60 S	257	50	95	5,000	135,000	A3	23.00

***SIZE OF CARTON USED: A3 – 500 x 275 x 380 A28 – 415 x 280 x 240

Dimension (mm)



Style	Bulk in Box Packing (In Plastic Case) B/B						
	L(C)±5	W(A)±5	H(B)±5	Quantity/Plastic Case Box (pcs.)	Quantity/ Carton (pcs.)	Carton Used ***	Gross Wt. ±2Kgs.
RSMF 5 RSF 5 KNP 5 KNPS 5	36	20	8	1K min/1000	4,000	A51	16.50