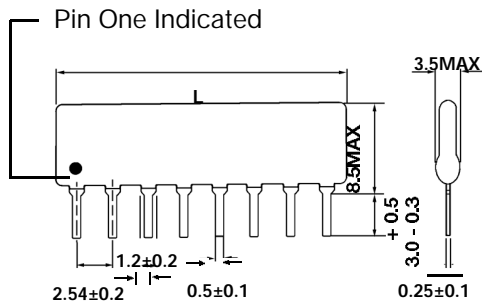


Capacitor/Resistor Networks

Dimension: mm

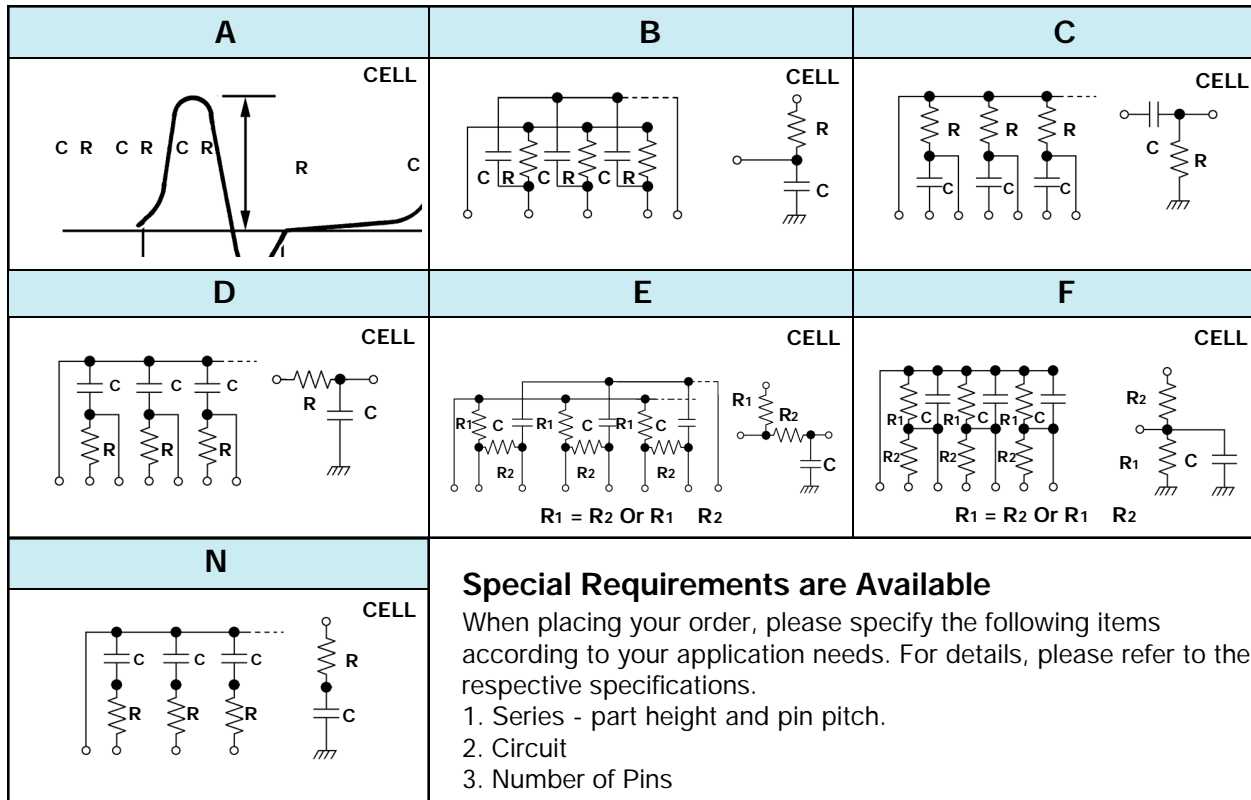


| | Resistor | Capacitor |
|------------------------|---------------------------------|----------------------------------|
| Max. Operating Voltage | 50V | |
| Range | 22 ~ 1M | 10pF-0.1μF |
| T.C.R | ± 100ppm/°C. ± 200ppm/°C. | NPO, X7R, Z5U |
| Tolerance | ± 1% (F), ± 2% (G), ± 5% (J) | ± 5%, ± 10%, ± 20%, + 80%-20% |
| Operating Temp. Range | - 25°C - + 85°C | |
| Storage Temp. Range | - 55°C - + 125°C | |

| mW/PACKAGE | No. Of Pins | | | |
|------------|-------------|-----|-----|-----|
| | 500 | 625 | 750 | 875 |

| mW/PACKAGE | No. Of Pins | | | |
|------------|-------------|------|------|------|
| | 1000 | 1050 | 1150 | 1250 |

Circuit Construction



Special Requirements are Available

When placing your order, please specify the following items according to your application needs. For details, please refer to the respective specifications.

1. Series - part height and pin pitch.
2. Circuit
3. Number of Pins
4. TC, Tol. Capacitance for Capacitor
5. Resistance, Wattage, Tol. for Resistor

Capacitor/Resistor Networks

Electrical Specifications - Capacitors

| Item | TC | NPO | X7R | Z5U |
|-----------------------|----|-------------------|---------------------|--|
| Capacitance | | 10pf - 1000pf | 220pF - 0.22μF | 1000pF - 1μF |
| Capacitance Tolerance | | J (5%), K (10%) | K (10%), M(20%) | M (20%), Z ⁺⁸⁰ ₋₂₀ |
| Dissipation Factor | | Max. 0.15% | Max. 2.5% | Max. 5% |
| Temp. Coefficient | | ± 30ppm/°C | ± 15% | + 22 ~ -56% |
| Operation Temp. | | -25°C ~ +125°C | -25°C ~ + 125°C | +10°C ~ + 85°C |
| Dielectric Test | | 3 x Rated Voltage | 2.5 x Rated Voltage | |
| Rated Voltage | | 50V | | |

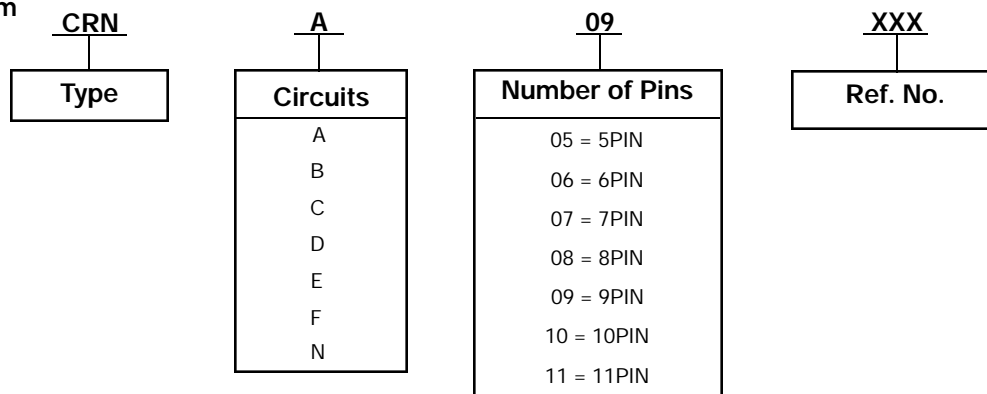
Electrical Specifications - Resistors

| | |
|-------------------------|---|
| Resistance Range | 10 - 1 Meg |
| Resistance Tolerance | ± 2%, ±1% (±0.5% is available upon request) |
| Temperature Coefficient | ± 100ppm/°C |
| TCR Tracking | ± 50ppm/°C |
| Operating Voltage | 50V Max. |
| Operating Temperature | -55°C ~ + 125°C |
| Power Rating | Power per resistor is 0.125W at 70°C |

Characteristics

| | |
|------------------------------|--------------------------|
| Short Time Overload | Max. R = ± 0.25% |
| Resistance to Soldering Heat | Max. R = ± 0.25% |
| Insulation Resistance | IR = 10,000 MEGOHM Min. |
| Terminal Strength | Max. R = ± 0.25% |
| Thermal Shock | Max. R = ± 0.5% |
| Solderability | Min. 95% Solder Coverage |
| Moisture Resistance | Max. R = ± 0.5% |
| Load Life | Max. R = ± 1% |
| Mechanical Shock | Max. R = ± 0.25% |
| Resistance to Solvents | Marking Remains Legible |

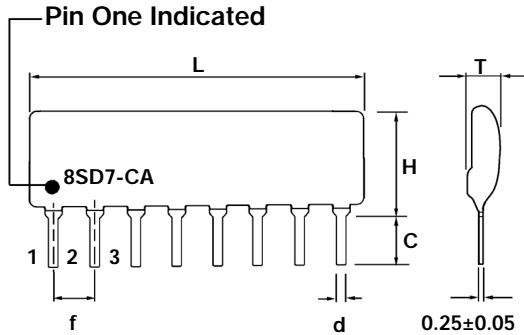
Part Numbering System



Diode Networks

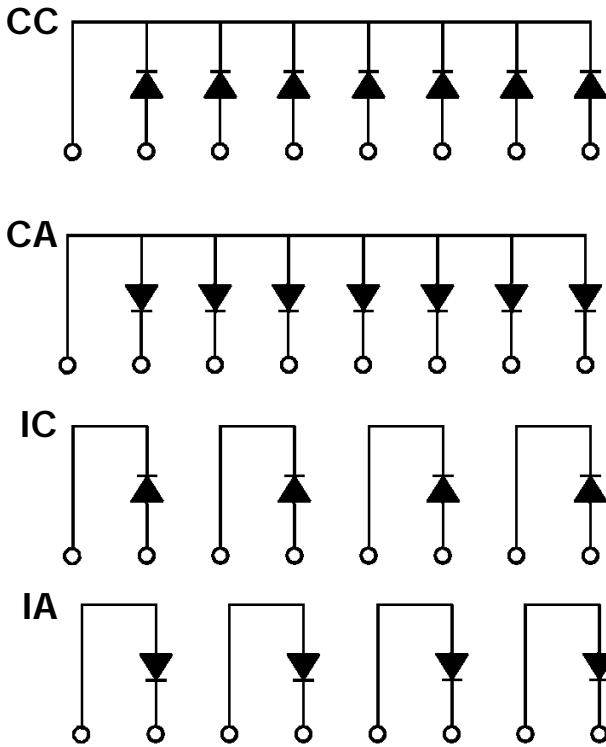


Dimension: mm



| Type | L | H (Max) | T (Max) | C ± 0.5 | d ± 0.5 | f ± 0.2 |
|--------|------|---------|---------|---------|---------|---------|
| 5 Pin | 12.7 | 9 | 4.0 | 3.5 | 0.5 | 2.54 |
| 6 Pin | 15.3 | | | | | |
| 7 Pin | 17.8 | | | | | |
| 8 Pin | 20.4 | | | | | |
| 9 Pin | 22.9 | | | | | |
| 10 Pin | 25.4 | | | | | |
| 11 Pin | 28.0 | | | | | |
| 12 Pin | 30.5 | | | | | |

Dimension: mm



High-Speed Switching Diode Array Series Absolute Maximum Ratings (Ta = 25°C):

| Item | Symbol | 35V | 75V | Unit |
|----------------------------|-----------|-------------|-------------|------|
| Peak Reverse Voltage | V_{RM} | 40 | 80 | V |
| Reverse Voltage | V_R | 35 | 75 | V |
| Surge Current (μs)* | I_{FSM} | 6.0 | 6.0 | A |
| Surge Current (μs) | I_{FSM} | 4.0 | 4.0 | mA |
| Peak Forward Current | I_{FM} | 450 | 450 | mA |
| Peak Forward Current | I_{FM} | 300 | 300 | mA |
| Average Forward Current | I_o | 150 | 150 | mA |
| Average Forward Current | I_o | 100 | 100 | mA |
| Junction Temperature | T_J | 125 | 125 | °C |
| Storage Temperature | T_{STG} | -55 +125 | -55 +125 | °C |

| Item | Symbol | Condition | 35V | | 75V | | Unit |
|-----------------|----------|---------------------|------|------|------|------|---------|
| | | | typ. | max. | typ. | max. | |
| Forward Voltage | V_{F1} | $I_R = 10mA$ | 0.72 | 1.0 | 0.72 | 1.0 | V |
| Forward Voltage | | $I_R = 50mA$ | 0.88 | 1.1 | 0.88 | 1.1 | V |
| Forward Voltage | V_{F3} | $I_R = 100mA$ | 1.0 | 1.2 | 1.0 | 1.2 | V |
| Reverse Current | | $V_R = 30V$ | - | 0.1 | - | - | μA |
| Reverse Current | I_R | $V_R = 50V$ | - | - | - | 0.1 | μA |
| Terminal Cap. | | $V_R = 0, f = 1MHz$ | 2.5 | 4.0 | 2.0 | 4.0 | pF |
| Rev. Recovery | t | $I_R = 10mA$ | - | 4.0 | - | 4.0 | ns |

Part Numbering System

